

### Select an ET-16AI2 when...

...you need to monitor 4-20 mA analog signals over an Ethernet network.

- 14 bit A/D for precision measurements
- Smart filtering rejects noise
- User choice of integration time – speed vs. filtering
- Field replaceable current shunts save maintenance time

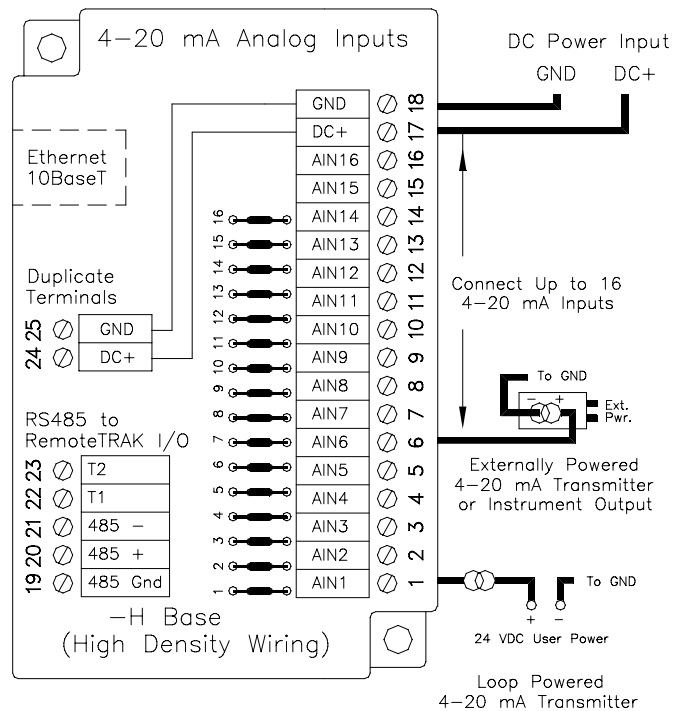


### Performance Specifications

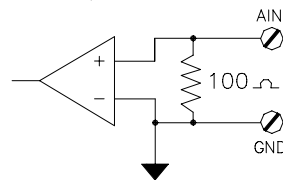
Number of channels	16
Input range	4-20 mA
A/D resolution	14 bits (0.01%)
Full scale accuracy (@20°C)	+/- 0.05%
Span and offset temp. coefficient	+/- 50 ppm per °C typical
Input impedance	100 Ohms
Input current protection	Replaceable shunts
Fastest scan rate (16 channels)	5 mS
Required supply voltage	10-30 VDC (0.75 watt typical)
Operating temperature range	-30 to 70° C
Storage temperature range	-40 to 85° C
Humidity (non-condensing)	5 to 95%

### RS485 Port for I/O Expansion

Max. RemoteTRAK modules	32 (up to 512 I/O)
Protocol	SIXNET "I/O for Windows" and Modbus ASCII and RTU
Baud rate	38,400 bps
Recommended distance	Up to 0.5 mile
Isolation (from Ethernet port)	1200 Volts RMS 1 minute



### Equivalent Circuit



**Need real-time performance...**  
Refer to the SIXNET CD or [www.sixnetio.com](http://www.sixnetio.com) for informative articles about achieving real-time results with Ethernet.

### Ordering Information

Description	Part Number
16 inputs with wiring base	ET-16AI2-H
Replacement module only	ET-16AI2-M