

Select an ET-16DI2 when...

...you need discrete (on/off) inputs reported over an Ethernet network.

- Supports DC sinking/sourcing or AC wiring
- User-configurable smart filtering
- Pulse counters with contact bounce filtering
- One high-speed counter channel to 2 KHz

Performance Specifications

Number of input channels	16
Nominal input voltage	12/24 VDC/VAC
Guaranteed ON voltage (note 1)	9 VDC/VAC
Maximum input voltage	30 VDC/VAC
Guaranteed OFF voltage (note 2)	5.0 VDC
Guaranteed OFF current (note 2)	1.4 mA
Input resistance	3.6K Ohms
Nominal input current @ 24VDC	6.7 mA
Filtered Mode ON/OFF delay (note 3)	25mS
Filtered Mode count feature	10 Hz Maximum
Fast Mode count feature	100 Hz (2 KHz on channel 1)
Fastest scan rate (16 channels)	2 mS (see Note 4)
Required supply voltage	10-30 VDC (0.75 watt typical)
Operating temperature range	-30 to 70° C
Storage temperature range	-40 to 85° C
Humidity (non-condensing)	5 to 95%

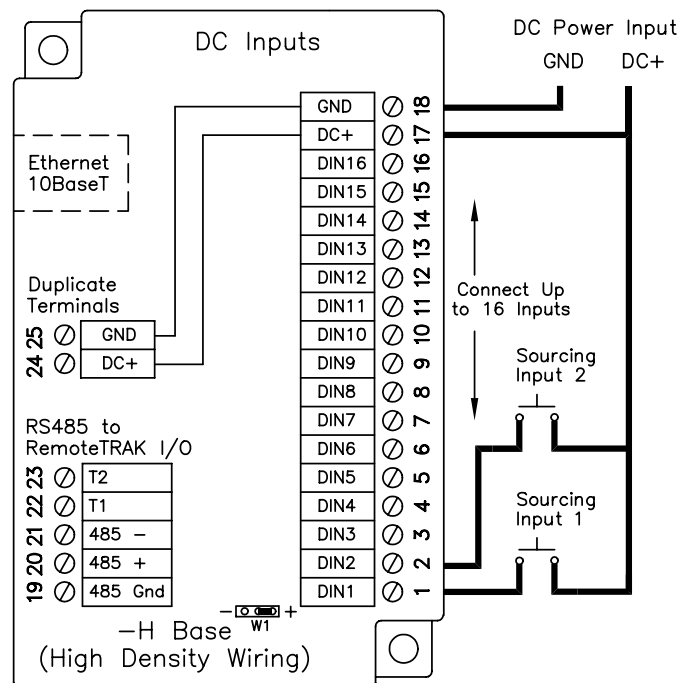
RS485 Port for I/O Expansion

Max. RemoteTRAK modules	32 (up to 512 I/O)
Protocol	SIXNET "I/O for Windows" and Modbus ASCII and RTU
Baud rate	38,400 bps
Recommended distance	Up to 0.5 mile
Isolation (from Ethernet port)	1200 Volts RMS 1 minute

- Notes:**
1. Minimum voltage guaranteed to turn the module ON.
 2. The maximum input current/voltage that will not switch the input from OFF to ON.
 3. Smart logic ignores transients, power line dropouts and switch contact bounce.
 4. I/O register update time does not include external communications.

Ordering Information

Description	Part Number
16 inputs with wiring base	ET-16DI2-H
Replacement module only	ET-16DI2-M



Equivalent DC Input Circuits

