

Select an ET-16DO2 when...

...you need to control relays, solenoids, valves and other outputs over an Ethernet network.

- High density outputs save space
- Isolation protects the Ethernet network
- Time Proportioned Outputs for variable control
- Surge suppressors safely clamp inductive loads

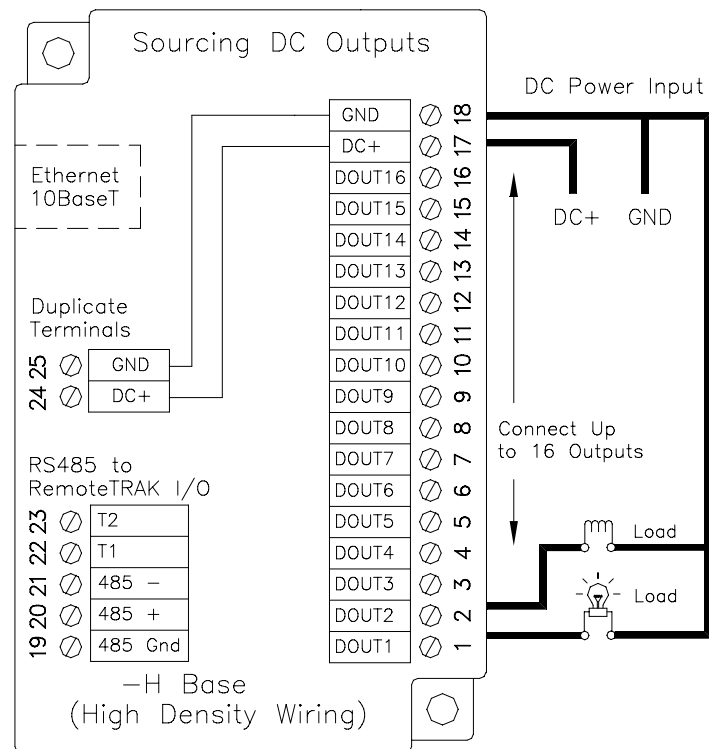


Performance Specifications	
Number of output channels	16
Output range	10 - 30 VDC
Max. output current per channel	1 Amp
Max. output current (entire module)	8 Amps
Max. OFF state leakage current	0.05 mA
Min. load current per channel	0.1 mA
Inrush current (100 mS surge)	5 Amps
Typical ON resistance	0.3 Ohms
Typical ON voltage (@ 1 Amp)	0.3 VDC
Time proportioned outputs (see note)	Configurable for each channel
Fastest scan rate (16 channels)	2 mS
Required supply voltage	10-30 VDC (0.75 watt typical)
Operating temperature range	-30 to 70° C
Storage temperature range	-40 to 85° C
Humidity (non-condensing)	5 to 95%
RS485 Port for I/O Expansion	
Max. RemoteTRAK modules	32 (up to 512 I/O)
Protocol	SIXNET "I/O for Windows" and Modbus ASCII and RTU
Baud rate	38,400 bps
Recommended distance	Up to 0.5 mile
Isolation (from Ethernet port)	1200 Volts RMS 1 minute

Note: Time Proportioned Outputs control the duty cycle of the output in proportion to an analog output register value. The cycle time and minimum pulse time are configurable.

Ordering Information

Description	Part Number
16 outputs with wiring base	ET-16DO2-H
Replacement module only	ET-16DO2-M



Equivalent DC Output Circuit (Sourcing only)

