

### Select an ET-8CNT when...

...you need pulse accumulators, pulse rate, or position information over an Ethernet network.

- Count rates to 50 KHz with 32-bit results
- Measure pulses from milliseconds to a minute
- Direct position detection from quadrature encoders
- Individually isolated inputs for best noise immunity
- Count inputs also report as discrete inputs
- Support for hardware gating and software resets

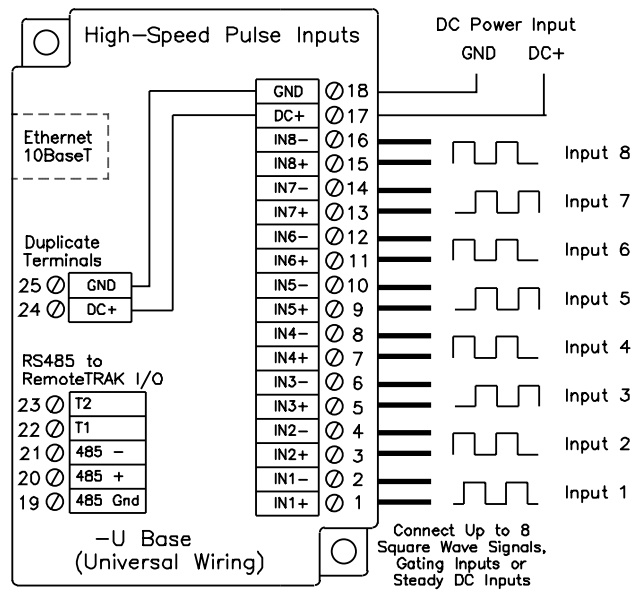


### Performance Specifications

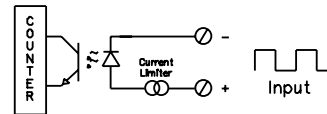
Number of counters	8
Count mode performance:	
Guaranteed count rate	50 KHz
Count resolution	32 bits
Rate (frequency) mode performance:	
Maximum input rate	50,000 per sec
Shortest measurement period	10 mS
Longest measurement period	1 min
Position mode performance:	
Maximum position axes (2 channels/axis)	4
Maximum pulses per second	25,000
Maximum quadrature states per second	100,000
Position resolution	32 bits
Input performance:	
Guaranteed count input voltage	4 Volts
Maximum count input voltage	30 Volts
Guaranteed off input voltage	1.5 Volts
Nominal count input current	8 mA
Required supply voltage	10-30 VDC (1.4 watt typical)
Operating temperature range	-30 to 70° C
Storage temperature range	-40 to 85° C
Humidity (non-condensing)	5 to 95%

RS485 Port for I/O Expansion	
Max. RemoteTRAK modules	32 (up to 512 I/O)
Protocol	SIXNET "I/O for Windows" and Modbus ASCII and RTU
Baud rate	38,400 bps
Recommended distance	Up to 0.5 mile
Isolation (from Ethernet port)	1200 Volts RMS 1 minute

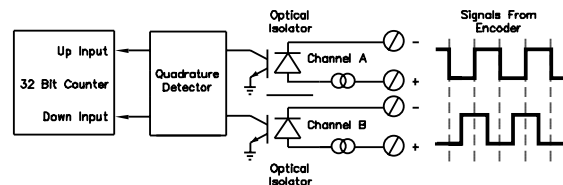
**Note:** A pair of counter channels can be combined to make a 32-bit up/down counter or accumulator.



Typical Count/Rate Input Circuit



Typical Position Input Circuit



### Ordering Information

Description	Part Number
8 High-Speed Counters w/base	ET-8CNT-U
Replacement module only	ET-8CNT-M