

Select an ET-8INS when...

...you need to read thermocouples, or you need isolated 16 bit inputs for high accuracy, or to connect to floating 4-20 mA inputs.

- Advanced 16 bit A/D for extreme accuracy
- Differential inputs minimize noise and ground loops
- Software selectable ranges - mix inputs on module
- Linearizes and compensates thermocouple readings
- Upscale/downscale thermocouple burnout detection



Performance Specifications

Number of channels	8
Lowest voltage range	+/- 0.062 Volts
Maximum voltage range	+/- 10 Volts
Auto-polarity current range	4-20 mA, 0-20 mA
Thermocouple types (see notes)	J,K,E,R,T,B,C,N,S *
A/D resolution	16 bits (0.003%)
Full scale accuracy (@20°C)	+/- 0.02%
Input span and offset adjustability	+/- 25%
Span and offset temp. coefficient	+/- 30 ppm per °C typical
Voltage range input impedance	200K Ohms
Current range input impedance	100 Ohms
CMRR (@ 50/60 Hz)	140 dB
DMRR (@ 50/60 Hz)	66 dB
Common mode input voltage:	
Between two input terminals	+/- 25VDC
Between inputs and ground	1200 Volts
No damage input voltage	+/- 50 VDC
Fastest scan rate (all 8 channels)	100 mS ** (see notes)
Required supply voltage	10-30 VDC (1.6 watt typical)
Operating temperature range	-30 to 70° C
Storage temperature range	-40 to 85° C
Humidity (non-condensing)	5 to 95%

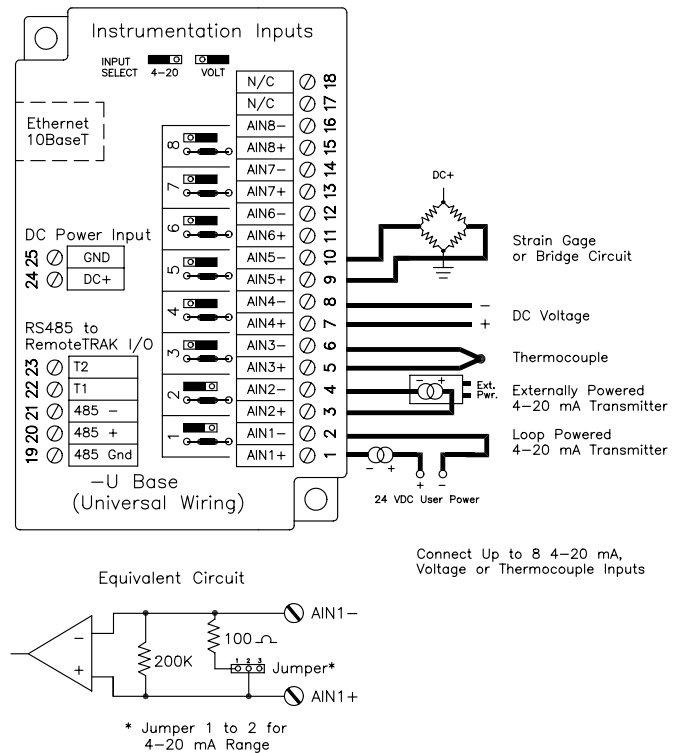
RS485 Port for I/O Expansion

Max. RemoteTRAK modules	32 (up to 512 I/O)
Protocol	SIXNET "I/O for Windows" and Modbus ASCII and RTU
Baud rate	38,400 bps
Recommended distance	Up to 0.5 mile
Isolation (from Ethernet port)	1200 Volts RMS 1 minute

Notes:

* Thermocouple inputs are cold-junction compensated and reported as F, C, 0.1F or 0.1C.

** This scan rate applies to modules built after 30-July-04. Earlier models may differ. Contact SIXNET for details.



Ordering Information

Description	Part Number
Instrumentation module with base	ET-8INS-U
Replacement module only	ET-8INS-M