

Select a RM-8AO2 when...

...your actuators or instruments require current loop (4-20 mA) analog signals.

Select a RM-4AO2 when...

...you only need four analog outputs at one location.

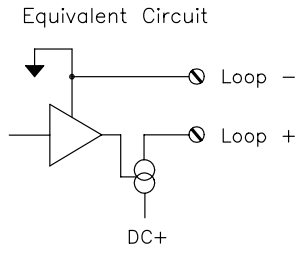
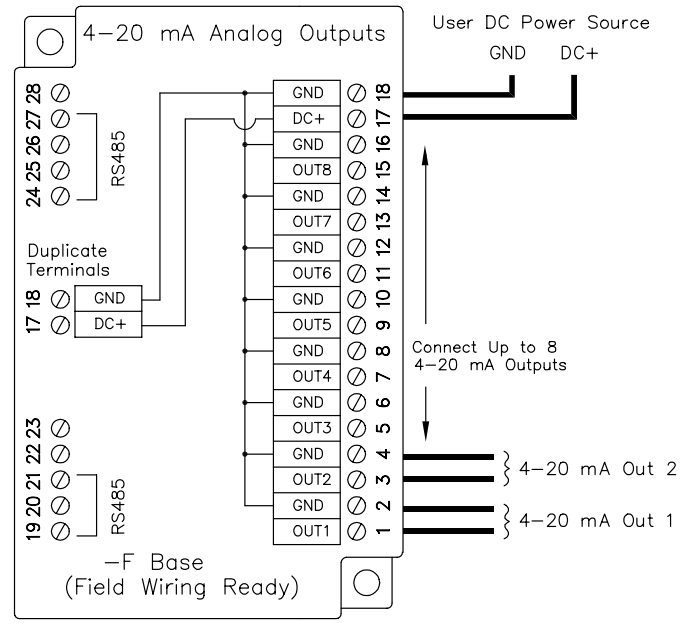
- High precision ensures accurate analog signals
- High resolution (13 bits) removes output "steps"
- Isolation on the RS485 lines eliminates ground loops
- Operates from a wide range of loop power supplies



Performance Specifications

Number of channels	4 or 8
Output range	4-20 mA
D/A resolution	13 bits (0.03%)
Full scale accuracy (@ 20° C)	+/- 0.05%
Span and offset temp. coefficient	+/- 50 ppm per degree C
Max. output setting time (to 0.05%)	5 mS
Required user supplied loop voltage	10-30 VDC
Load resistance range (@ +24V supply)	0-750 Ohms
Short circuit protection	Current limiting

Serial communication information	See page 19
RS485 isolation	1200 Volts RMS 1 minute
Required supply voltage	10-30 VDC (0.5 watt typical)
Operating temperature range	-30 to 70° C
Storage temperature range	-40 to 85° C
Humidity (non-condensing)	5 to 95%



Ordering Information

Description	Part Number
4 channels with field wiring base	RM-4AO2-F
8 channels with field wiring base	RM-8AO2-F
Replacement module only	RM-4AO2-M
Replacement module only	RM-8AO2-M

