

Select a RM-8DO2 when...

...you need 8 discrete outputs that can drive up to 3 Amp loads with the benefits of short circuit protection.

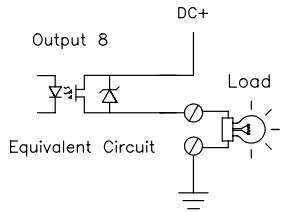
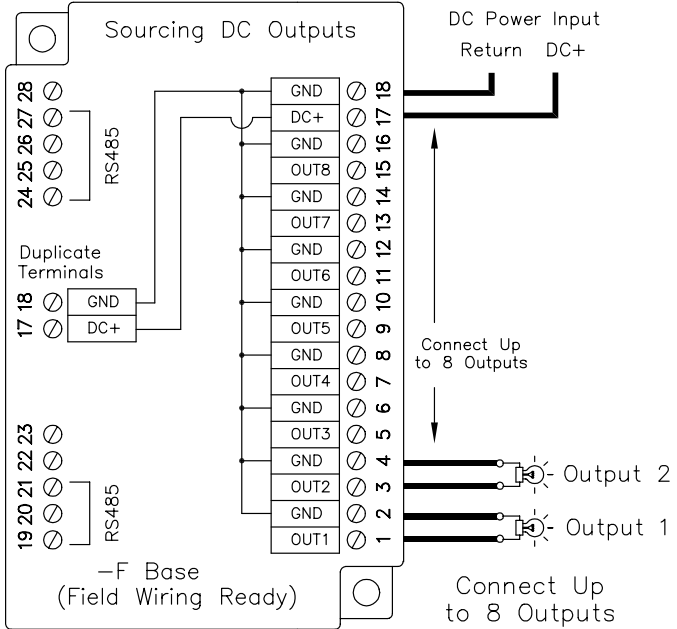
- 3 Amp high-current outputs drive inductive loads
- Short circuit protection at full rated load
- Thermal overload protection and shutdown
- Time Proportioned Outputs for low cost control
- Direct field wiring with two terminals per output



Performance Specifications	
Number of channels	8
Output range	10-30 VDC
Max. output current per channel	3 Amps (derate linearly to 2A from 50 to 70°C)
Max. output current (entire module)	10 Amps
Max. OFF state leakage current	0.05 mA
Min. load current per channel	0.1 mA
Inrush current (100 mS surge)	10 Amps
Maximum inductive load	0.2 H (3 Amp load at 24 VDC)
Typical ON resistance	0.1 Ohms
Typical ON voltage drop (@ 1 Amp)	0.1 VDC
Short circuit protection	At full rated load
Thermal shutdown protection	150° C

Serial communication information	See page 19
RS485 isolation	1200 Volts RMS 1 minute
Required supply voltage	10-30 VDC (0.5 watt typical)
Operating temperature range	-30 to 70° C
Storage temperature range	-40 to 85° C
Humidity (non-condensing)	5 to 95%

Note: Time Proportioned Outputs control the duty cycle of the output in proportion to an analog output register value. The cycle time and minimum pulse width are configurable.



Ordering Information	
Description	Part Number
Module with field wiring base	RM-8DO2-F
Replacement module only	RM-8DO2-M