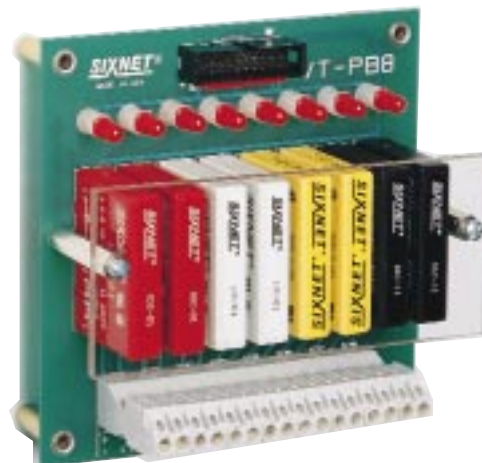


Select a discrete I/O expansion board when...

...you need to add a few AC or DC discrete I/O channels to a VersaTRAK or Mini-VersaTRAK.

- A flexible solution for that "special" I/O channel
- Uses industry standard single point I/O modules
- An economical way to add a few more I/O
- I/O channels are individually isolated

The VT-PB8 plugs into a dedicated port on a VersaTRAK or Mini-VersaTRAK to economically provide a few extra I/O.



Performance Specifications

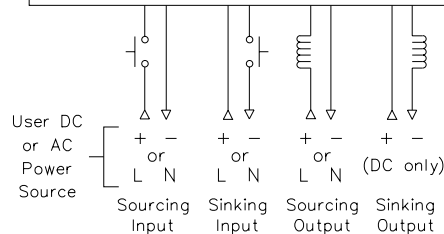
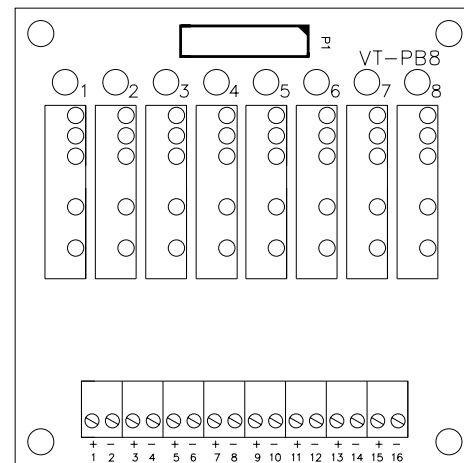
Number of channels	8
Module type used	Single point discrete I/O
Mix of inputs and outputs	Any
Isolation from VersaTRAK	1200 Volts
Isolation channel to channel	500 Volts
Operating temperature range	-30 to 70° C
Storage temperature range	-40 to 85° C
Humidity (non-condensing)	5 to 95 %

Discrete input modules

Part Number	Input Range	Input Current
IDC-01	10 - 32 VDC	50 mA @ 24 VDC
IDC-11	3 - 12 VDC	8 mA @ 5 VDC
IDC-21	20 - 120 VDC	12 mA @ 120 VDC
IAC-01	90 - 140 VAC	5 mA @ 120 VAC
IAC-11	180 - 280 VAC	5 mA @ 240 VAC
IAC-21	10 - 32 VAC	10 mA @ 24 VAC

Discrete output modules

Part Number	Output Range	Output Current
ODC-01	3 - 60 VDC	10 mA - 3A
OAC-01	20 - 140 VAC	50 mA - 3A
OAC-11	140 - 280 VAC	50 mA - 3A



Ordering Information

Description	Part Number
Discrete I/O Expansion Board	VT-PB8
Order separately up to 8 modules from the chart above.	

Note 1: The VT-PB8 connects to a VersaTRAK or Mini-VersaTRAK with a supplied ribbon cable.

Note 2: Contact SIXNET for detailed specifications on any of the modules above.